

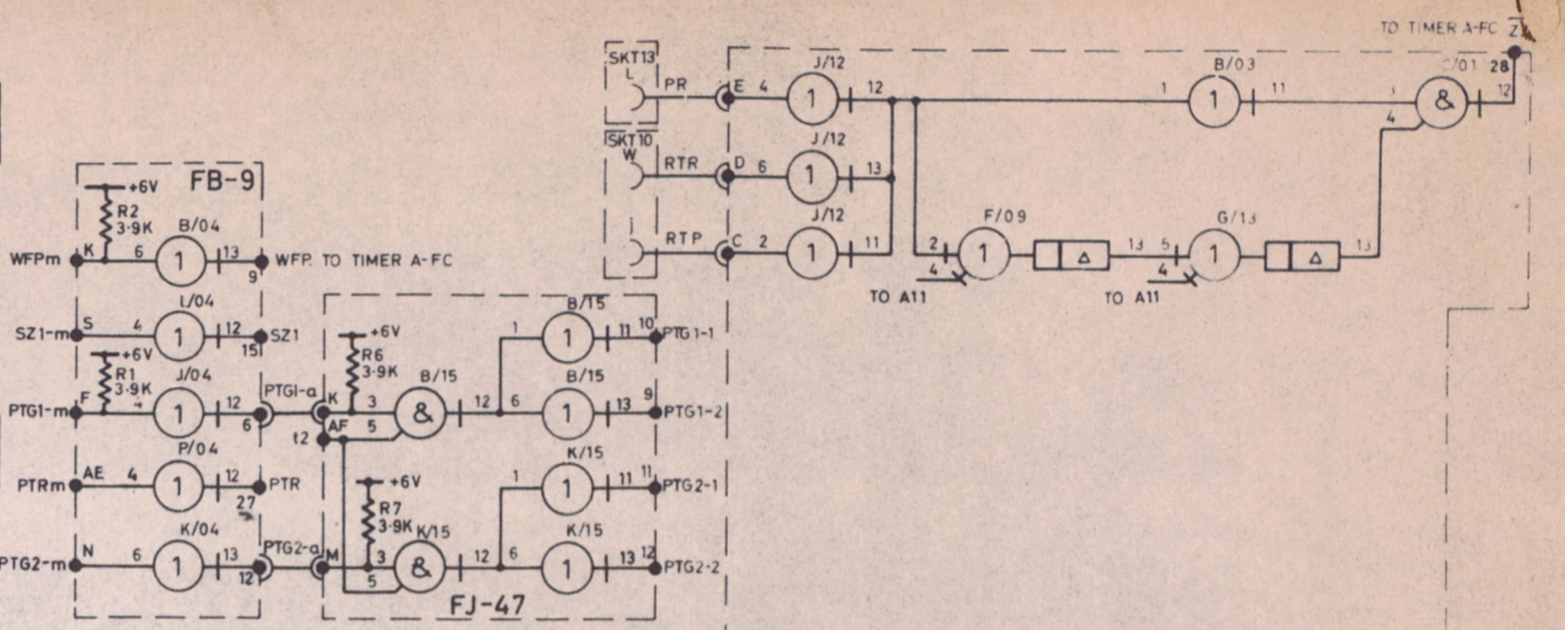
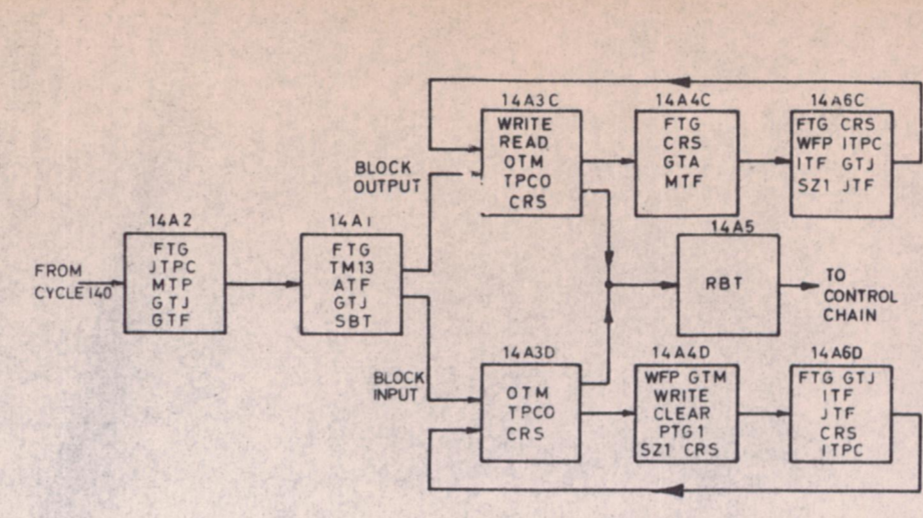
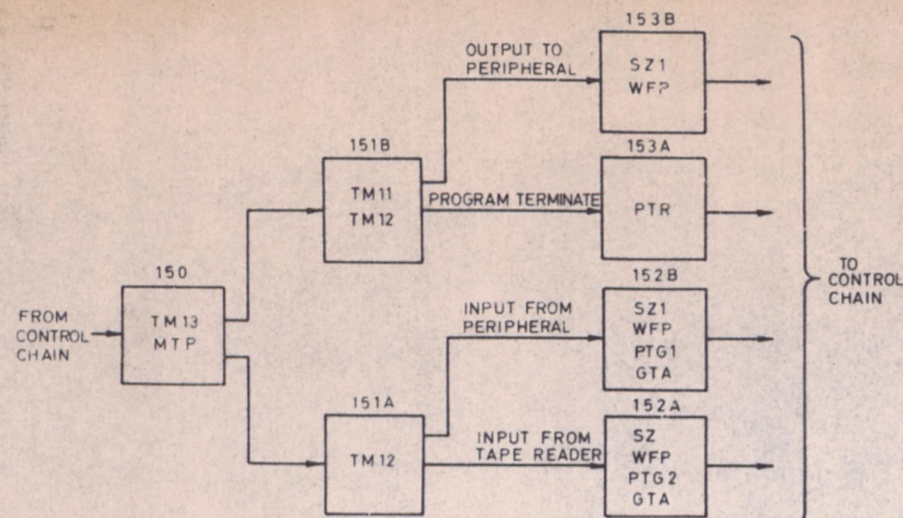
322 D 7952

THIRD ANGLE PROJECTION

DIMENSIONS IN INCHES UNLESS OTHERWISE STATED

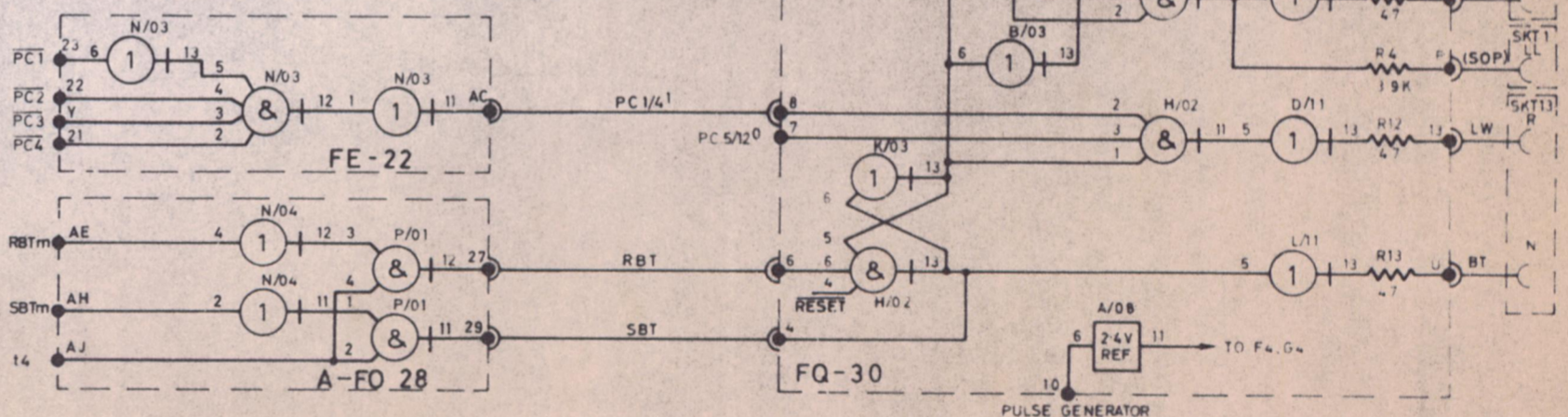
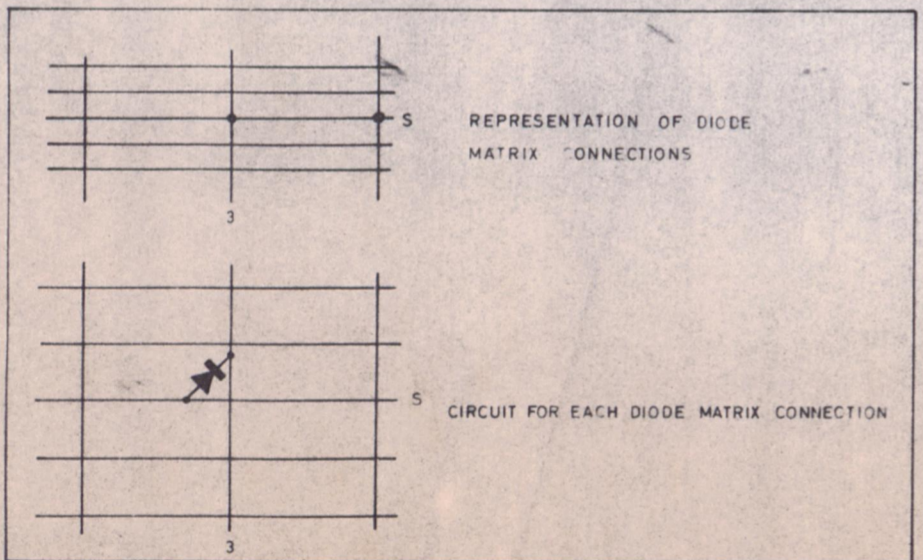
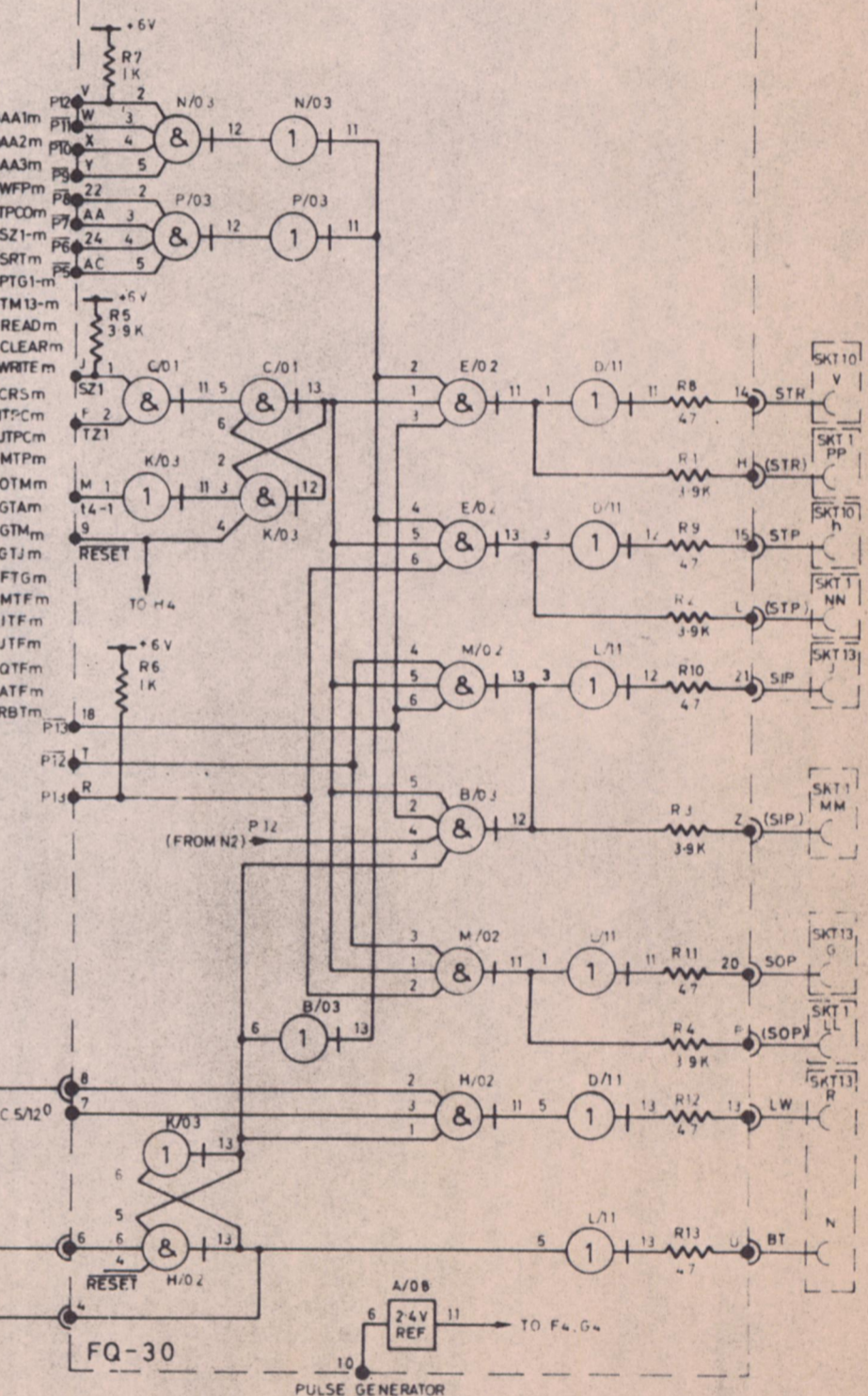
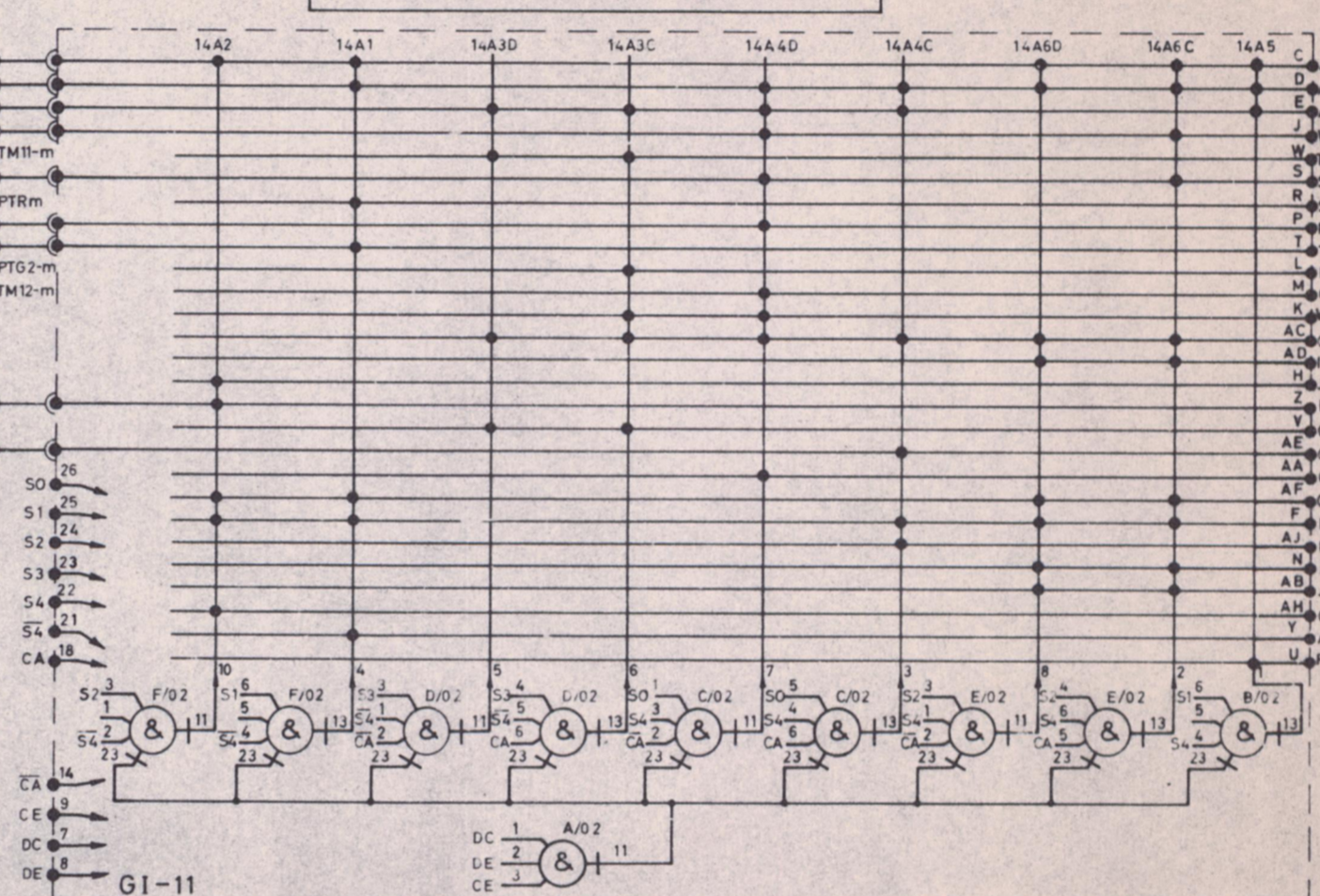
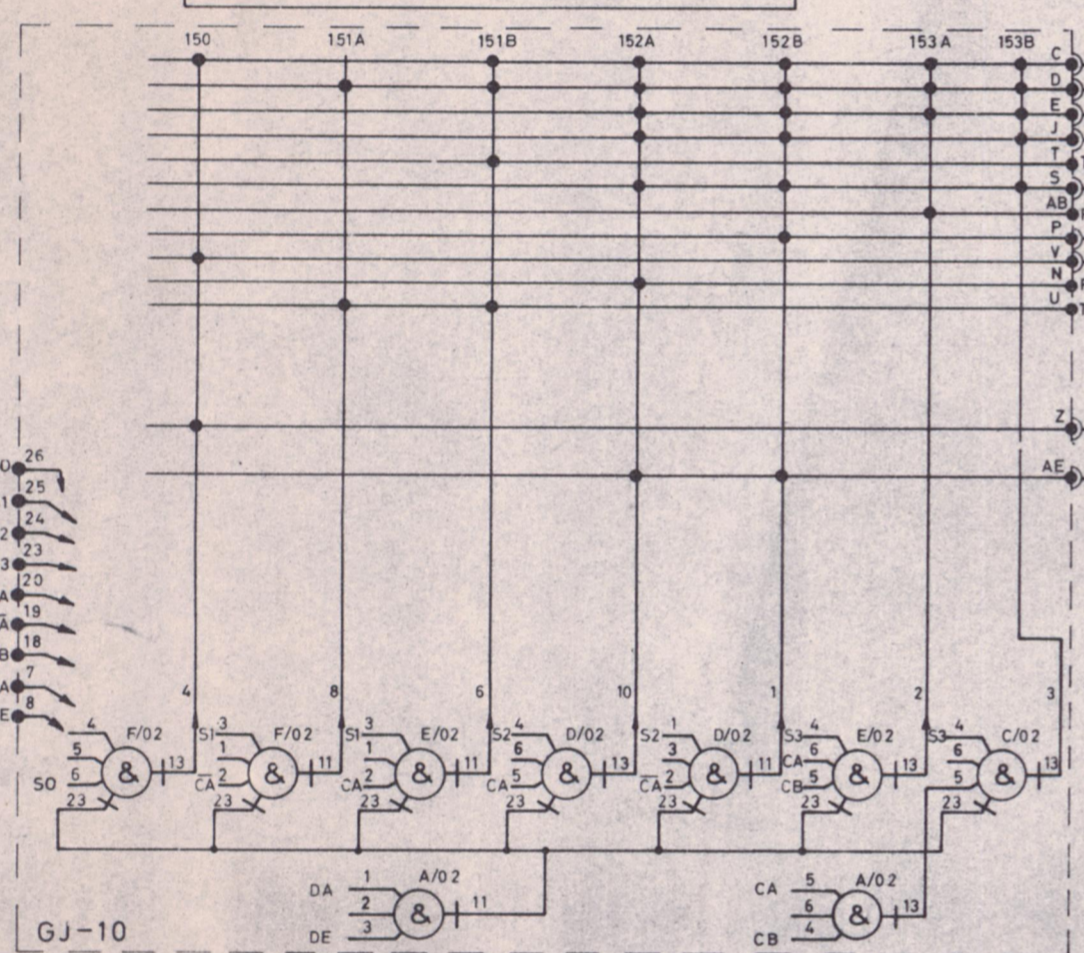
DO NOT SCALE DRAWING

USED ON A 7201



FUNCTION 15 CONTROL MATRIX

FUNCTION 14A CONTROL MATRIX



TO BE READ IN CONJUNCTION WITH 322 A7191

TITLE  
**920 B COMPUTER INPUT/OUTPUT OVERALL LOGIC**  
 SHEET 2

A13

LATEST MI INCORPORATED, MI 2998

ISSUE No.	1	MATERIAL	FINISH
ALT <sup>n</sup> No.	1681	ELLIOTT BROTHERS (LONDON) LTD	
DATE	4/30/66	TOLERANCES: DECIMAL: FRACTIONAL: ANGULAR DIMENSIONS: UNLESS OTHERWISE STATED	
INITIALS	S.N.	TITLE: <b>920 B COMPUTER INPUT/OUTPUT OVERALL LOGIC</b>	
PARTS LIST No.	DRAWN: S.M.BLETT, CHECKED: P.D.C., APPROVED: S.N., DATE: 11/14/66	SHEET 2	
		322 D7952	